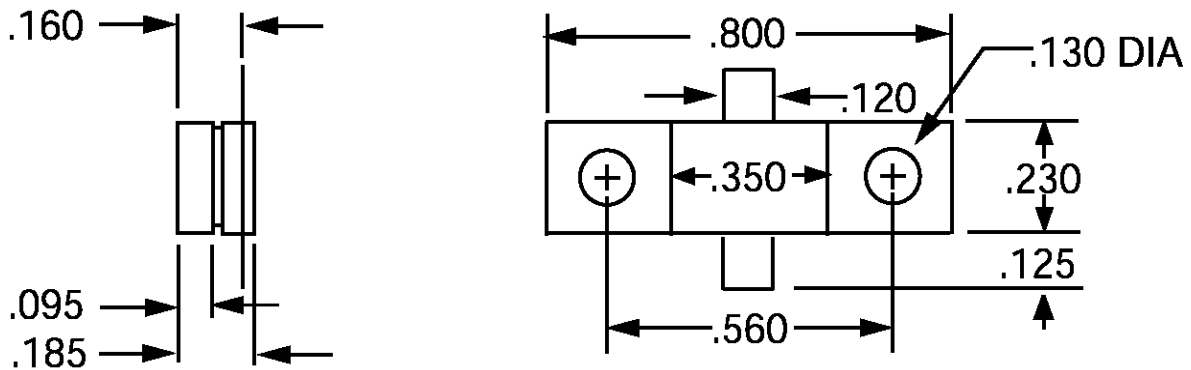


HIGH POWER BRAZED RESISTOR

1BB150100



Electrical Specifications		Material Specifications		General Specifications	
RFT P/N	1BB150100	Substrate	BeO	Mechanical Tolerance	±.010"
Power (Watt)	150	Flange	Copper with Nickel Plating	Resistance Tolerance	±5%
Resistance	100	Tab	Nickel with Silver plating	Power Handling	150 W @ 100°C 0 W @ 250°C
Frequency (GHz)	3	Cover	Alumina	Construction	Brazed
Capacitance (pF Typical)	1.5	Resistive Element	NiChrome	RoHS Compliance	Yes

All dimensions are in inches. Minimum lead length 0.125". 1% & 2% resistance tolerance available. Other resistance values available.